

Mifare® LXS Reader

ISO14443A Proximity reader

13.56 MHz

Identification & Security

▶ Access Control - Multi applications

))) The 13.56 MHz Mifare® LXS reader range is ISO14443A compliant. This technology lets you enter the world of high security and multi-application credentials.



))) The LXS can be provided according to your customer needs in black or white casing. It is very easy to integrate in many demanding environments thanks to its modern and elegant design.

▶▶ Features

Functions

The range of models covers all the necessary functions for a successful Mifare® implementation, and more: UID read only, Secured sector read only, read-write with SSC (Stid Smart Commands.)

Performances

100% compatible with ISO14443A, the LXS provides good reading distances** (up to 5cm) even when mounted directly on metal.

Easy to install

The LXS has an installation system compatible with standard electrical boxes that make it very easy to setup. It can be also mounted directly on the wall.

Integration

With various standard communication interfaces and protocols, the LXS will be immediately compatible and easy to integrate with your existing access control systems.

Résistance

The LXS can be used both indoor and outdoor, and has strong mechanical design for optimum weather resistance: polycarbonate fireproof casing and electronics potted in resin.

Design

The reader is one of the rare visible parts of access control systems. Its look must then be taken very seriously. We are very aware of that and at STid we not only provide performing products, but also nicely designed to fit in your environments.



System
mifare
Secured

Specifications

- ▶ **Frequency** : 13.56 MHz
- ▶ **Models** : read-only, secured, read/write
- ▶ **Reading distance**** : up to 5 cm
- ▶ **Dimensions** : 102 x 76 x 20 mm
- ▶ **Interfaces** : TTL, RS232/485, USB
- ▶ **Protocols** : ISO2/Wiegand, serial
- ▶ **Power supply** : 12VDC (10,5-15V)
- ▶ **Protection** : IP 65 (face)
- ▶ **Chip technology** : Mifare®, Desfire®,
& compliant with ISO 14443 A.

▶ **Technology**

mifare®

Turning RFID into reality

 **STid**
Electronic Identification

Mifare® LXS Reader

ISO14443A Proximity reader



13.56 MHz

Applications

- Access control
- Time & Attendance
- Cashless vending

Specification

Operating Frequency:

13.56 MHz

Functions :

Read Only - Secured Read Only - Read/Write

Reading distance** :

Up to 5cm with an ISO card.

Communication Interfaces:

Read-Only and secured : TTL - Clock&Data, Wiegand

Read-Write : RS 232, RS 485, USB.

(contact us for detailed specifications)

Connection :

Screw terminal (5 to 8 wires)

Led :

Bicolor - host driven (protocol for serial communication / 0V for TTL interface).

Internal beeper :

Automatic read indicator, can be deactivated.

Power supply :

12 VDC (10.5-15V)

Power requirement :

100 mA - 125 mA typ.

Material :

Polycarbonate UL casing (V0 UL94)

Dimensions :

102 x 76 x 20 mm

Operating Temperatures :

- 20°C to + 70°C - indoor & outdoor use.

Protection :

IP 65 (face)

Mounting :

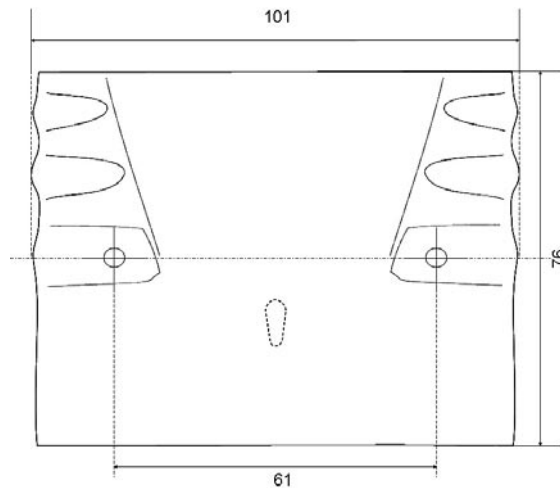
Wall mount (installation spacer supplied)

Part Number :

TTL	:	LXS-R31-A/1A3-xx/y (R/O)
TTL Secured	:	LXS-R31-A/Ph1-xx/y (R/O)
RS232	:	LXS-W32-A/Ph1-5D/y (R/W)
RS485	:	LXS-W33-A/Ph1-7B/y (R/W)
USB	:	LXS-W35-A/Ph1-5D/y (R/W)
xx :	protocol variant	
y :	Casing Color	1 : Black
		2 : White



Dimensions



Dimensions (in mm).

The mounting screws are invisible thanks to 2 removable screw caps, integrated in the reader design.



The LXS can be used with a wide variety of contactless cards and tags.



⇨ Evaluation and Development kits

mifare®
System
Secured

Download documentation

mifare®
Product Range

Download documentation

Headquarters

ZAC des pradeaux
Bd Salvador Allende
13850 Greasque, France
Tel. +33 (0)4.42.12.60.60
Fax. +33 (0)4.42.12.60.61
info@stid.com / www.stid.com

Paris Branch

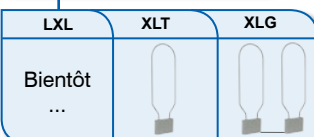
Immeuble Expansion 10 000
28, rue de la Redoute
92260 Fontenay-aux-Roses, France
Tel. +33 (0)1.43.50.11.43
Fax. +33 (0)1.43.50.27.37
info@stid.com / www.stid.com

STid
Electronic Identification

13,56 MHz Proximity Readers



13,56 MHz Long Range



Turning RFID into reality

Legal statements: STid, LXS are trademarked by STid SA, Mifare is a Philips trademark. All other trademarks are property of their respective owners.